

MEDIUM DUTY BALL BEARINGS



MOLINE BEARING C^o

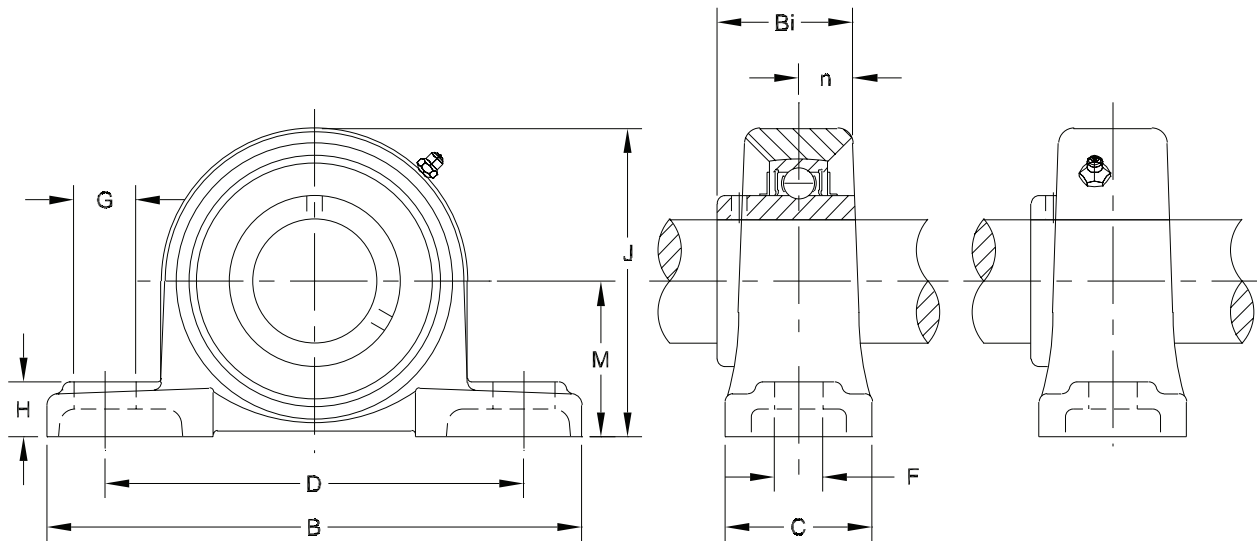


MOUNTED BALL BEARING 2-BOLT PILLOW BLOCK

UCPX Series—Medium Duty Set Screw Locking Collar

SHAFT SIZE	MOLINE PART #	UNIT #	DIMENSIONS (INCHES)				
			M	B	D	C	F
1	29421100	UCPX05-16	1 3/4	6 1/4	4 11/16	2	1 1/16
1 1/8	29421102	UCPX06-18	1 7/8	6 7/8	4 3/4	2 1/8	1 1/16
1 3/16	29421103	UCPX06-19					
1 1/4	29421104	UCPX06-20					
1 3/8	29421106	UCPX07-22	2 1/8	8	5 5/8	2 1/4	1 1/16
1 7/16	29421107	UCPX07-23					
1 1/2	29421108	UCPX08-24	2 5/16	8 3/4	6 1/8	6 9/16	1 3/16
1 5/8	29421110	UCPX09-26	2 5/16	8 3/4	6 1/8	2 5/8	1 3/16
1 11/16	29421111	UCPX09-27					
1 3/4	29421112	UCPX09-28					
1 7/8	29421114	UCPX10-30	2 1/2	9 7/16	6 3/4	2 13/16	1 3/16
1 15/16	29421115	UCPX10-31					
2	29421200	UCPX10-32					

For sale as complete units.



MOUNTED BALL BEARING 2-BOLT PILLOW BLOCK

SHAFT SIZE	DIMENSIONS (INCHES)					BOLT SIZE (INCHES)	HOUSING #	WEIGHT LBS.
	G	H	J	Bi	n			
1	$1\frac{3}{16}$	$1\frac{3}{16}$	$3\frac{3}{8}$	1.50	0.63	$\frac{9}{16}$	PX05	3.31
$1\frac{1}{8}$ $1\frac{3}{16}$ $1\frac{1}{4}$	$1\frac{3}{16}$	$1\frac{3}{16}$	$3\frac{5}{8}$	1.69	0.69	$\frac{9}{16}$	PX06	4.63
$1\frac{3}{8}$ $1\frac{7}{16}$	$1\frac{3}{16}$	$1\frac{3}{16}$	$4\frac{1}{8}$	1.94	0.75	$\frac{9}{16}$	PX07	5.95
$1\frac{1}{2}$	$1\frac{5}{16}$	$1\frac{5}{16}$	$4\frac{7}{16}$	1.94	0.74	$\frac{5}{8}$	PX08	7.72
$1\frac{5}{8}$ $1\frac{11}{16}$ $1\frac{3}{4}$	$1\frac{5}{16}$	1	$4\frac{9}{16}$	2	0.75	$\frac{5}{8}$	PX09	8.16
$1\frac{7}{8}$ $1\frac{15}{16}$ 2	$1\frac{5}{16}$	$1\frac{5}{16}$	$4\frac{15}{16}$	2.19	.88	$\frac{5}{8}$	PX10	10.14



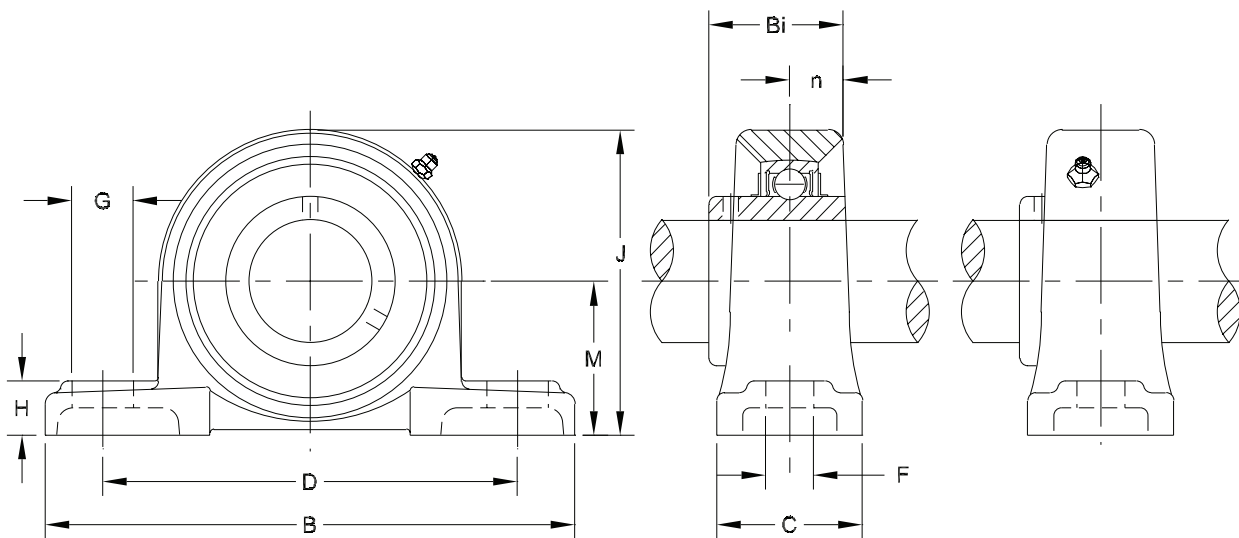
CAD drawings available upon request at no additional charge.

MOUNTED BALL BEARING 2-BOLT PILLOW BLOCK CONTINUED

UCPX Series—Medium Duty Set Screw Locking Collar

SHAFT SIZE	MOLINE PART #	UNIT #	DIMENSIONS (INCHES)				
			M	B	D	C	F
2 1/8 2 3/16 2 1/4	29421202 29421203 29421204	UCPX11-34 UCPX11-35 UCPX11-36	2 3/4	10 1/4	7 1/4	3 1/8	1
2 3/8 2 7/16	29421206 29421207	UCPX12-38 UCPX12-39	3	11	8	3 3/16	1
2 1/2	29421208	UCPX13-40	3	11 1/4	8	3 1/4	1
2 11/16	29421211	UCPX14-43	3 1/2	12 5/8	9	3 3/8	1 1/16
2 15/16 3	29421215 29421300	UCPX15-47 UCPX15-48	3 1/2	13	9	3 5/8	1 1/16
3 7/16	29421307	UCPX17-55	4	14 15/16	11 1/8	4	1 1/16
3 1/2	29421308	UCPX18-56	4	15	11 1/8	4 3/16	1 1/16
3 15/16 4	29421315 29421400	UCPX20-63 UCPX20-64	5	17	13 1/4	4 3/4	1 5/16

For sale as complete units.



MOUNTED BALL BEARING 2-BOLT PILLOW BLOCK

SHAFT SIZE	DIMENSIONS (INCHES)					BOLT SIZE (INCHES)	HOUSING #	WEIGHT LBS.
	G	H	J	Bi	n			
2 1/8 2 3/16 2 1/4	1 1/8	1 1/8	5 3/8	2.56	1	3/4	PX11	14.33
2 3/8 2 7/16	1 1/8	1 1/4	5 7/8	2.56	1	3/4	PX12	16.98
2 1/2	1 1/8	1 5/16	6	2.94	1.19	3/4	PX13	17.86
2 11/16	1 3/16	1 5/16	6 1/16	3.06	1.31	7/8	PX14	22.49
2 15/16 3	1 3/16	1 3/8	6 7/8	3.25	1.31	7/8	PX15	23.81
3 7/16	1 3/16	1 9/16	7 7/8	3.75	1.56	7/8	PX17	35.49
3 1/2	1 3/16	1 9/16	8 1/8	4.09	1.69	7/8	PX18	42.11
3 15/16 4	3 7/16	1 3/4	9 5/8	4.63	1.94	1 1/8	PX20	67.02



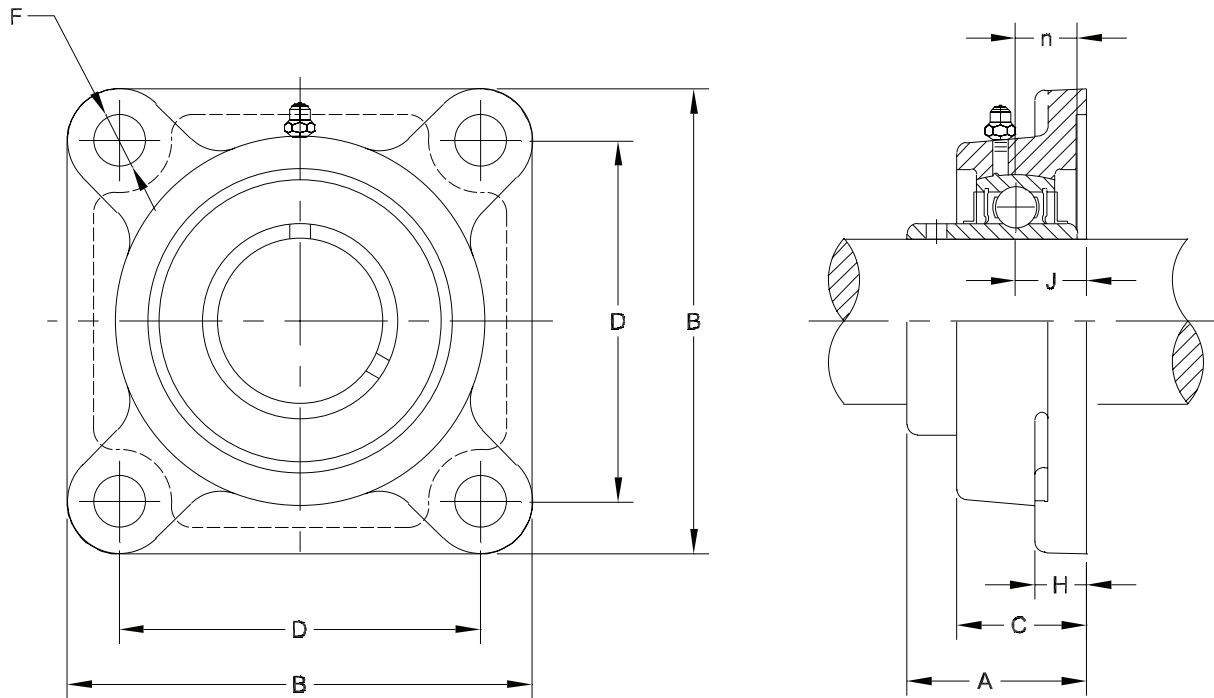
CAD drawings available upon request at no additional charge.

MOUNTED BALL BEARING 4-BOLT FLANGE

UCFX Series—Medium Duty Set Screw Locking Collar

SHAFT SIZE	MOLINE PART #	UNIT #	DIMENSIONS (INCHES)				
			B	D	J	H	C
1	29411100	UCFX05-16	4 ¼	3 ¼	5/8	½	1 ⅜
1 ½	29411102	UCFX06-18	4 5/8	3 5/8	1 1/16	9/16	1 5/16
1 3/16	29411103	UCFX06-19					
1 ¼	29411104	UCFX06-20					
1 3/8	29411106	UCFX07-22	5 ½	4	¾	9/16	1 ½
1 7/16	29411107	UCFX07-23					
1 ½	29411108	UCFX08-24	5 3/8	4 ½	¾	9/16	1 9/16
1 5/8	29411110	UCFX09-26	5 5/8	4 3/8	¾	9/16	1 9/16
1 11/16	29411111	UCFX09-27					
1 ¾	29411112	UCFX09-28					
1 7/8	29411114	UCFX10-30	6 3/8	5 ½	7/8	1 3/16	1 ¾
1 15/16	29411115	UCFX10-31					
2	29411200	UCFX10-32					

For sale as complete units.



MOUNTED BALL BEARING 4-BOLT FLANGE

SHAFT SIZE	DIMENSIONS (INCHES)			BOLT SIZE (INCHES)	HOUSING #	WEIGHT LBS.
	F	A	n			
1	$\frac{7}{16}$	$1\frac{9}{16}$	$1\frac{11}{16}$	$\frac{7}{16}$	FX05	2.65
$1\frac{1}{8}$ $1\frac{3}{16}$ $1\frac{1}{4}$	$\frac{1}{2}$	$1\frac{3}{4}$	$\frac{3}{4}$	$\frac{1}{2}$	FX06	3.53
$1\frac{3}{8}$ $1\frac{7}{16}$	$\frac{1}{2}$	2	$1\frac{13}{16}$	$\frac{1}{2}$	FX07	4.41
$1\frac{1}{2}$	$\frac{9}{16}$	$2\frac{1}{16}$	$\frac{7}{8}$	$\frac{9}{16}$	FX08	5.29
$1\frac{5}{8}$ $1\frac{11}{16}$ $1\frac{3}{4}$	$\frac{9}{16}$	$2\frac{3}{16}$	$1\frac{5}{16}$	$\frac{9}{16}$	FX09	5.95
$1\frac{7}{8}$ $1\frac{15}{16}$ 2	$1\frac{1}{16}$	$2\frac{5}{16}$	1	$\frac{5}{8}$	FX10	8.16



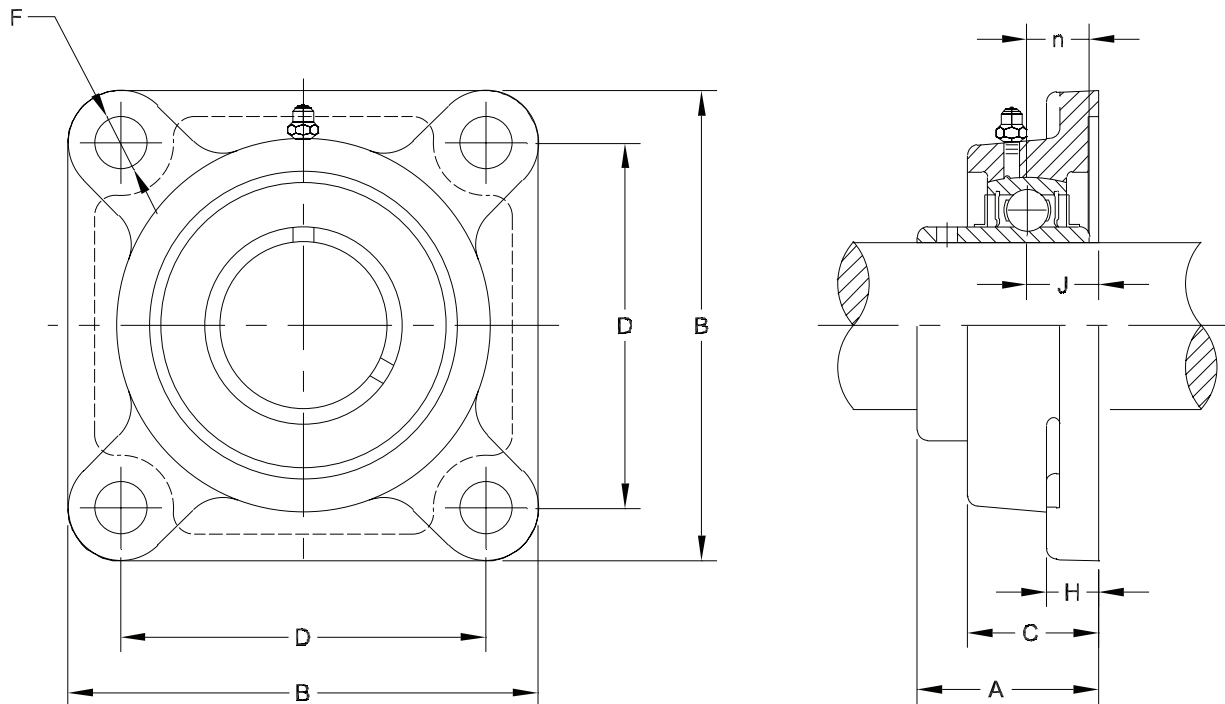
CAD drawings available upon request at no additional charge.

MOUNTED BALL BEARING 4-BOLT FLANGE CONTINUED

UCFX Series—Medium Duty Set Screw Locking Collar

SHAFT SIZE	MOLINE PART #	UNIT #	DIMENSIONS (INCHES)				
			B	D	J	H	C
2 1/8	29411202	UCFX11-34	6 7/8	5 5/8	1	13/16	1 15/16
2 3/16	29411203	UCFX11-35					
2 1/4	29411204	UCFX12-36					
2 3/8	29411206	UCFX12-38	7 3/8	5 7/8	1	13/16	2 1/4
2 7/16	29411207	UCFX12-39					
2 1/2	29411208	UCFX13-40	7 3/8	5 7/8	1 3/16	13/16	2 5/16
2 11/16	29411211	UCFX14-43	7 3/4	6	1 5/16	15/16	2 3/8
2 15/16	29411215	UCFX15-47	7 3/4	6	1 5/16	15/16	2 1/16
3	29411300	UCFX15-48					
3 1/16	29411307	UCFX17-55	8 7/16	6 3/4	1 9/16	15/16	2 3/4
3 1/2	29411308	UCFX18-56	8 7/16	6 3/4	1 3/4	15/16	3
3 15/16	29411315	UCFX20-63	10 9/16	8 1/4	1 15/16	1 1/4	3 13/16
4	29411400	UCFX20-64					

For sale as complete units.



MOUNTED BALL BEARING 4-BOLT FLANGE

SHAFT SIZE	DIMENSIONS (INCHES)			BOLT SIZE (INCHES)	HOUSING #	WEIGHT LBS.
	F	A	n			
2 1/8 2 3/16 2 1/4	1 1/16	2 11/16	1 1/8	5/8	FX11	10.8
2 3/8 2 7/16	1 1/16	2 7/8	1 5/16	5/8	FX12	12.57
2 1/2	1 1/16	3 1/16	1 5/16	5/8	FX13	13.89
2 11/16	1 3/16	3 3/16	1 7/16	3/4	FX14	15.43
2 15/16 3	1 3/16	3 1/2	1 9/16	3/4	FX15	18.52
3 7/16	1 3/16	3 13/16	1 9/16	3/4	FX17	23.81
3 1/2	1 3/16	4 3/16	1 3/4	3/4	FX18	26.24
3 15/16 4	1 1/4	5	2 5/16	1 1/8	FX20	42.77



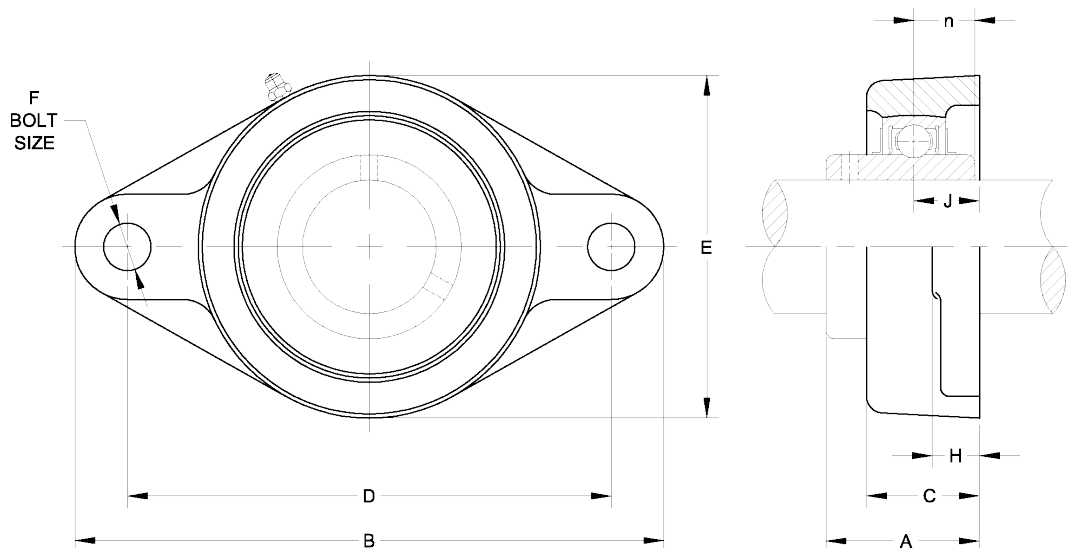
CAD drawings available upon request at no additional charge.

MOUNTED BALL BEARING 2-BOLT FLANGE

UCFLX Series—Medium Duty Set Screw Locking Collar

SHAFT SIZE	MOLINE PART #	UNIT #	DIMENSIONS (INCHES)				
			B	D	J	H	C
1	29401100	UCFLX 05-16	5 ⁹ / ₁₆	4 ⁵ / ₈	.63	1/2	1 ³ / ₁₆
1 1/8 1 3/16 1 1/4	29401102 29401103 29401104	UCFLX 06-18 UCFLX 06-19 UCFLX 06-20	6 1/8	5 1/8	.69	9/16	1 5/16
1 3/8 1 7/16	29401106 29401107	UCFLX 07-22 UCFLX 07-23	6 3/4	5 11/16	.75	9/16	1 1/2
1 1/2	29401108	UCFLX 08-24	7 1/16	5 13/16	.75	9/16	1 9/16
1 5/8 1 11/16 1 3/4	29401110 29401111 29401112	UCFLX 09-26 UCFLX 09-27 UCFLX 09-28	7 7/16	6 3/16	.75	9/16	1 9/16
1 7/8 1 15/16 2	29401114 29401115 29401200	UCFLX 10-30 UCFLX 10-31 UCFLX 10-32	8 1/2	7 1/4	.87	13/16	1 3/4

For sale as complete units.



MOUNTED BALL BEARING 2-BOLT FLANGE

SHAFT SIZE	DIMENSIONS (INCHES)				BOLT SIZE (INCHES)	HOUSING #	WEIGHT LBS.
	F	E	A	n			
1	1/2	3 1/4	1.58	1 1/16	7/16	FLX05	2.21
1 1/8 1 3/16 1 1/4	5/8	3 3/4	1.75	3/4	9/16	FLX06	3.31
1 3/8 1 7/16	5/8	4 1/8	2.02	13/16	9/16	FLX07	4.41
1 1/2	5/8	4 3/8	2.06	7/8	9/16	FLX08	4.85
1 5/8 1 11/16 1 3/4	5/8	4 9/16	2.19	15/16	9/16	FLX09	5.29
1 7/8 1 15/16 2	3/4	5 1/4	2.34	1	5/8	FLX10	7.50



For personal service and special requests, please call us at 800.242.4633.

CAD drawings available upon request at no additional charge.